



VALOR®1000

Compact Bench Scales



T models



T models



T models



Supports
HACCP Systems

Reliable Food-Safe Scale for Dry Environments

With a food-safe design that is NSF-certified and supports a HACCP system, the Valor 1000 Series is a reliable choice for general food weighing. Easy-to-operate Valor 1000 scales feature two-button operation, a large backlit LCD display and up to 1,500-hour battery life.

Unique Features:

- NSF certified, USDA-AMS accepted design supports HACCP systems, making Valor 1000 perfect for food preparation tasks. Stainless steel pans and plastic in-use covers available for extra protection.
- Save money on batteries. Energy-efficient design operates for up to 1,500 hours.
- Intuitive two-button operation allows for quick weight checking to simplify repetitive operations and increase operator efficiency.

VALOR® 1000 - V12P Compact Bench Scales

| Model | V12P3 | V12P6 | V12P15 | V12P30 | V12P2T | V12P5T | V12P10T | V12P20T |
|--|---|---|---|--|--|---|--|---|
| Capacity × Readability (Max x d non-approved) | 6 lb x 0.001 lb 3 kg x 0.0005 kg 3,000 g x 0.5 g 96 oz x 0.02 oz 6 lb x 0.02 oz | 15 lb x 0.002 lb 6 kg x 0.001 kg 6,000 g x 1 g 240 oz x 0.5 oz 15 lb x 0.5 oz | 30 lb x 0.005 lb 15 kg x 0.002 kg 15,000 g x 2 g 480 oz x 0.1 oz 30 lb x 0.1 oz | 60 lb x 0.01 lb 30 kg x 0.005 kg 30,000 g x 5 g 960 oz x 0.2 oz 60 lb x 0.2 oz | 5 lb x 0.0005 lb 2 kg x 0.0002 kg 2,000 g x 0.2 g 80 oz x 0.01 oz | 10 lb x 0.001 lb 5 kg x 0.0005 kg 5,000 g x 0.5 g 160 oz x 0.02 oz | 20 lb x 0.002 lb 10 kg x 0.001 kg 10,000 g x 1 g 320 oz x 0.05 oz | 50 lb x 0.005 lb 20 kg x 0.002 kg 20,000 g x 2 g 800 oz x 0.1 oz |
| Maximum Displayed Resolution (gram) | 1:6,000 | 1:6,000 | 1:7,500 | 1:6,000 | 1:10,000 | 1:10,000 | 1:10,000 | 1:10,000 |
| Maximum Displayed Resolution (pound) | 1:6,000 | 1:7,500 | 1:6,000 | 1:6,000 | 1:10,000 | 1:10,000 | 1:10,000 | 1:10,000 |
| Certified Capacity × Readability (Max x e approved) | - | - | - | - | 5 lb x 0.002 lb 2 kg x 0.001 kg 2,000 g x 1 g 80 oz x 0.05 oz | 10 lb x 0.005 lb 5 kg x 0.002 kg 5,000 g x 2 g 160 oz x 0.1 oz | 20 lb x 0.01 lb 10 kg x 0.005 kg 10,000 g x 5 g 320 oz x 0.2 oz | 50 lb x 0.02 lb 20 kg x 0.01 kg 20,000 g x 10 g 800 oz x 0.5 oz |
| Approved Resolution (gram) | - | - | - | - | 1:2,000 | 1:2,500 | 1:2,000 | 1:2,000 |
| Approved Resolution (pound) | - | - | - | - | 1:2,500 | 1:2,000 | 1:2,000 | 1:2,500 |
| Class | - | - | - | - | Class III NTEP / Measurement Canada | | | |
| Weighing Units | g, kg, lb, oz, lb:oz | | | | g, kg, lb, oz | | | |
| Application Mode | Weighing | | | | | | | |
| Tare Range | To capacity by subtraction | | | | | | | |
| Stabilization Time | ≤2 seconds | | | | | | | |
| Power requirements | Four Type D Alkaline batteries (not included) or AC adapter (included) | | | | | | | |
| Calibration | Digital with external weight | | | | | | | |
| Typical Battery Life | 1,500 hours with backlight turned off | | | | 750 hours with backlight turned off | | | |
| Construction | ABS plastic housing, stainless steel pan, plastic in-use cover | | | | | | | |
| Safe Overload | 150% of capacity | | | | | | | |
| Communication | N/A | | | | Optional RS232 | | | |
| Specified Temperature Range | 32 to 104° F / 0 to 40 °C | | | | | | | |
| Display Type | Single display - LCD with white backlight | | | | Dual display - LCD with white backlight | | | |
| Display Size | 1.0 in / 25.4 mm | | | | | | | |
| Pan Size | 9.65 x 7.48 in / 245 x 190 mm | | | | | | | |
| Scale Dimensions (W x D x H) | 10.2 x 10.6 x 4.8 in / 260 x 270 x 122 mm | | | | | | | |
| Shipping Dimensions (W x D x H) | 12.6 x 12.6 x 6.9 in / 319 x 319 x 175 mm | | | | | | | |
| Net Weight | 5.5 lb / 2.5 kg | | | | | | | |
| Shipping Weight | 6.8 lb / 3.1 kg | | | | | | | |

Other Standard Features and Equipment

Integrated level bubble and adjustable feet, selectable Auto-Off, selectable weighing units and integrated carrying handles for easy transportation

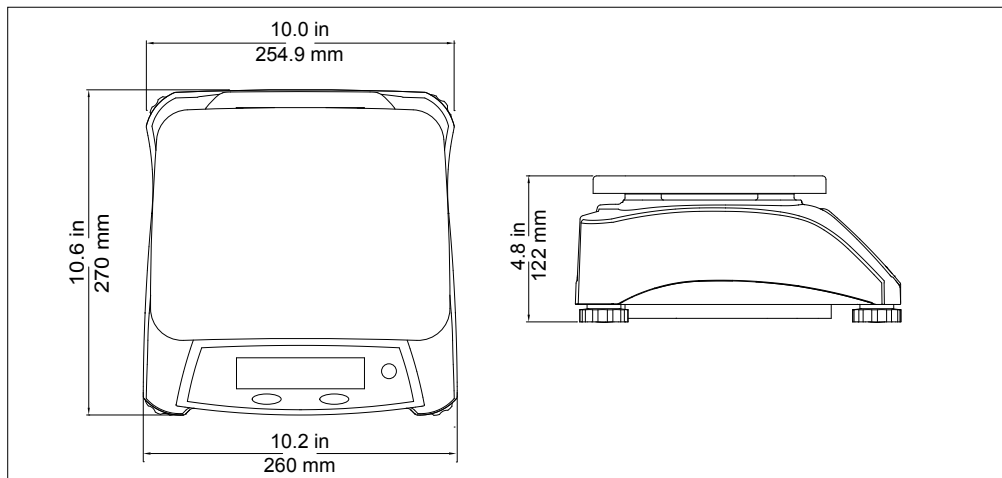
Compliance

- **Metrology (T models):** NIST Handbook 44 (NTEP CC 11-012), Canada Weights and Measures Regulations (AM-6164)
- **Product Safety:** IEC/EN 61010-1; UL certified power supply
- **Electromagnetic Compatibility:** FCC Part 15 Class B; Canada ICES-003 Class B
- **Food Safety:** NSF/ANSI 169, NSF/ANSI /3-A 14159-1
- **Compliance Marks:** NSF, USDA-AMS

Accessories

RS232 Interface, 1.5m cable(for approved T models).....30559103
 In-use Cover (1) 30559105
 In-use Cover (10) 30559106
 Stainless Steel Platform, 11.8 in x 8.9 in, 300 x 225 mm ... 30559107

Outline Dimensions



OHAUS CORPORATION

7 Campus Drive
 Suite 310
 Parsippany, NJ 07054 USA

Tel: 800.672.7722
 973.377.9000
 Fax: 973.944.7177

www.ohaus.com

The management system governing the manufacture of this product is ISO 9001:2015 certified.

